



MONO-CRYSTALLINE MODULE

CE-360/365/370/375/380M72



Features

- High conversion efficiency through advanced manufacturing technology
- 12 years product warranty, 25 years linear performance warranty
- 3%- 5% positive tolerance ensures more power generated
- Withstand snow loads up to 5400Pa and wind loads up to 2400Pa under extreme temperature
- Anti-PID modules effectively reduce the loss in solar panel power output
- Anti salt mist corrosion & anti-ammonia corrosion test

Certificates

- Manufactured according to International Management System Standard
Quality Management system: ISO9001
Environmental Management System: ISO14001
- Certified and approved by CE, TUV, IEC 61215, IEC 61730, and PV CYCLE

MONO-CRYSTALLINE MODULE

CE-360/365/370/375/380M72



Electrical Characteristics under STC*

Module Type	CE-360M72	CE-365M72	CE-370M72	CE-375M72	CE-380M72
Maximum Power-Pmax (Wp)	360	365	370	375	380
Voltage at Maximum Power-Vmp (V)	39.5	39.7	39.9	40.2	40.5
Current at Maximum Power-Imp (A)	9.12	9.20	9.28	9.33	9.39
Open Circuit Voltage-Voc (V)	48.0	48.2	48.5	48.7	48.9
Short Circuit Current-Isc (A)	9.51	9.57	9.61	9.68	9.75
Module Efficiency- η m (%)	18.55	18.81	19.07	19.33	19.58
Power Tolerance (%)	0/+3	0/+3	0/+3	0/+3	0/+3

Mechanical Characteristics

Cell Type	Mono-crystalline	156.75×156.75 mm
Number of Cells	72 (6×12)	
Dimension	1956×992×40 mm (77.01×39.06×1.57 inches)	
Weight	22.5 kg	
Front Glass	Low Iron Tempered Glass	
Encapsulant	EVA	
Frame	Anodized Aluminum Alloy	

Temperature Characteristics

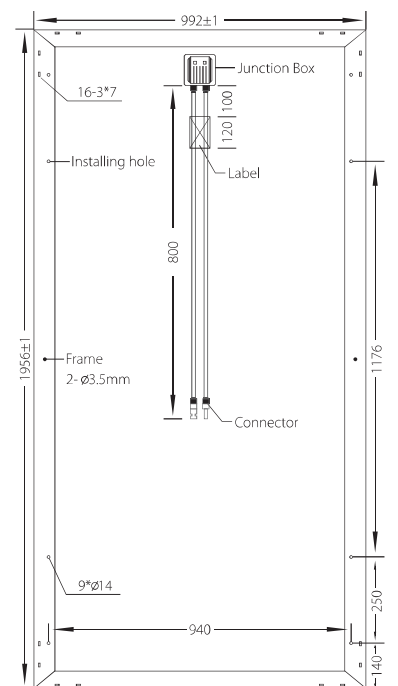
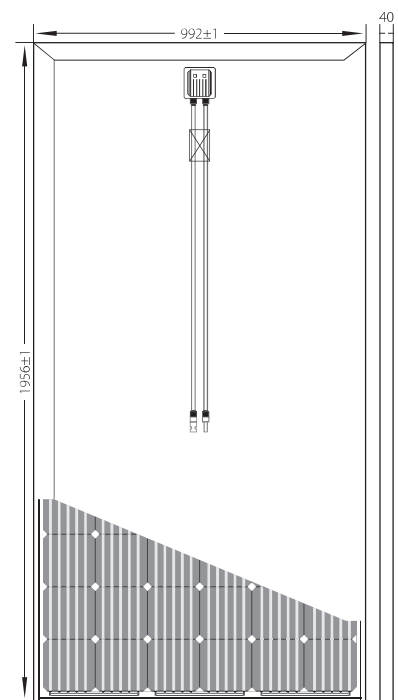
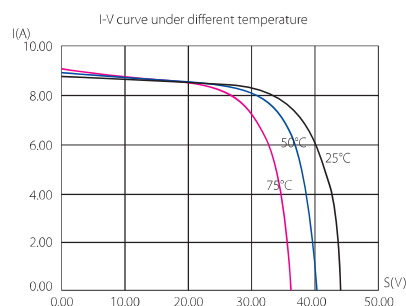
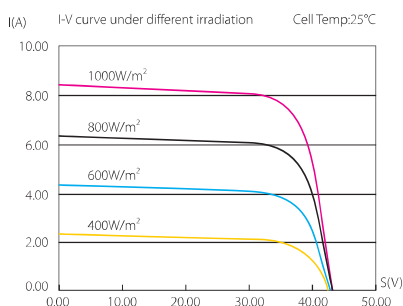
NOCT*	45±2°C
Temperature Coefficient of Pmax (%)	-0.40/°C
Temperature Coefficient of Voc (%)	-0.31/°C
Temperature Coefficient of Isc (%)	0.04/°C

Maximum System Ratings

Operating Temperature	-40°C to +80°C
Maximum System Voltage	1000/1500 V DC
Maximum Series Fuse Rating	20A

Warranty

- 12 years product warranty
- 12 years warranty on 90% power output
- 25 years warranty on 80% power output



*STC (Standard Testing Conditions): Irradiance 1000 W/m², cell temperature 25 °C, AM=1.5
ambient temperature 20 °C, wind speed 1 m/s

*NOCT (Nominal Operating Cell Temperature): Irradiance 800 W/m²,
The specifications in this datasheet are subjected to change without prior notice